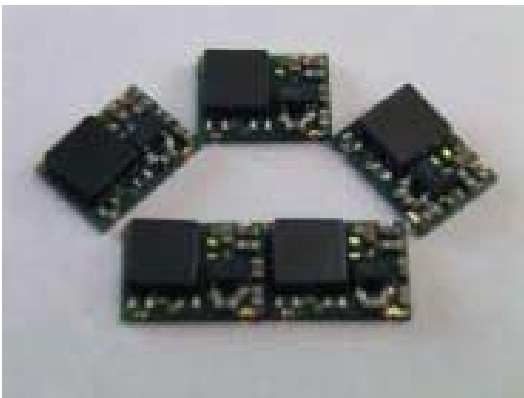


## Features

### Typical Applications

- Home Security Systems
- Remote Lighting Controls
- Remote Gate Controls
- Asset Tracking
- Sensor Monitoring

- 433.92 MHz
- Low Cost
- 3-12VDC Operation
- Small Size
- 0 dBm Output @ 3V
- 4800 Baud Operation



## Description

The RCT-433-UTR is ideal for remote control applications, where low cost and longer range are required. The transmitter operates from a 3-12V supply, making it ideal for battery-powered applications. The transmitter employs a SAW-stabilized oscillator, ensuring accurate frequency control for best range performance. Output power and harmonic emissions are easy to control, making FCC and ETSI compliance easy. The manufacturing-friendly tape-and-reel packaging and low cost make the RCT-433-UTR suitable for high volume applications.

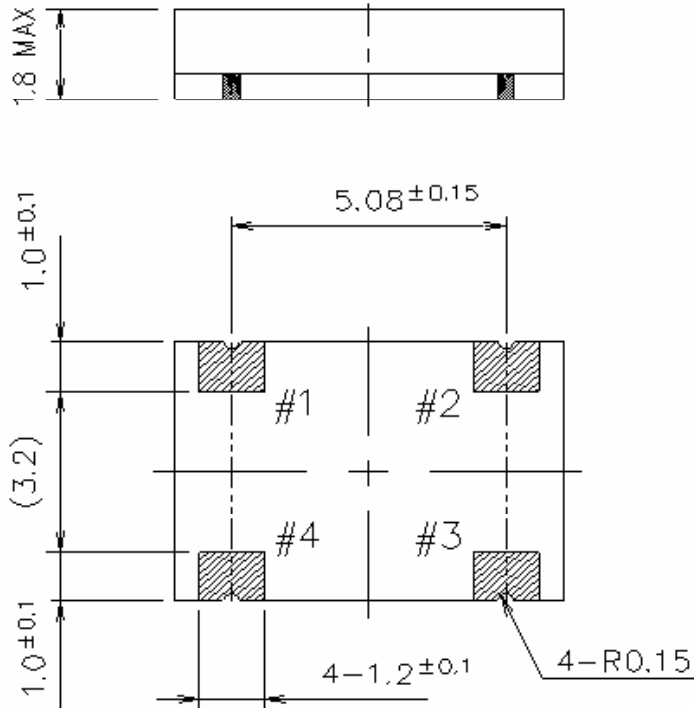
| Item No. | Parameter                      | Value  |     |      | UNIT |
|----------|--------------------------------|--------|-----|------|------|
|          |                                | MIN    | TYP | MAX  |      |
| 1.       | Transmit Frequency             | 433.92 |     |      | MHz  |
| 2.       | Modulation                     |        | ASK |      |      |
| 3.       | Output Power @ 12 V/ Data: 3 V | 9      | 10  | 12   | dBm  |
| 4.       | Data Rate                      | 1      |     | 3    | KHz  |
| 5.       | Frequency Tolerance            | -120   |     | +120 | KHz  |
| 6.       | Operating Temperature          | -40    |     | +85  | °C   |
| 7.       | Power Source                   | 3      |     | 12   | V    |
| 8.       | Power Consumption @ 12 V       | 8      | 10  | 12   | mA   |

***Document Control***

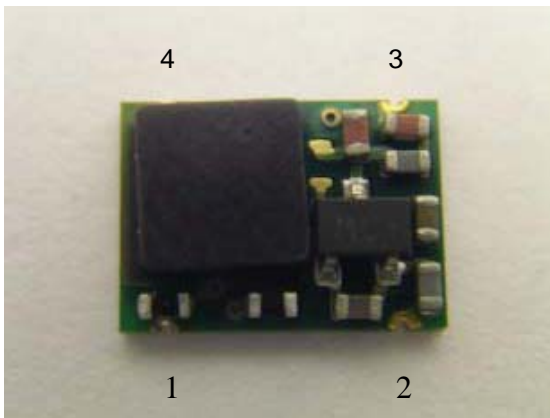
|                               |            |         |
|-------------------------------|------------|---------|
| <b>Created By</b>             | TJ Everett | 1/20/07 |
| <b>Engineering Review</b>     |            |         |
| <b>Marketing Review</b>       |            |         |
| <b>Approved - Engineering</b> |            |         |
| <b>Approved - Marketing</b>   |            |         |

***Revision History***

| <b>Revision</b> | <b>Author</b> | <b>Date</b> | <b>Description</b> |
|-----------------|---------------|-------------|--------------------|
| 1.0             | TJ            | 1/20/07     | Document Created   |
|                 |               |             |                    |
|                 |               |             |                    |
|                 |               |             |                    |
|                 |               |             |                    |
|                 |               |             |                    |
|                 |               |             |                    |



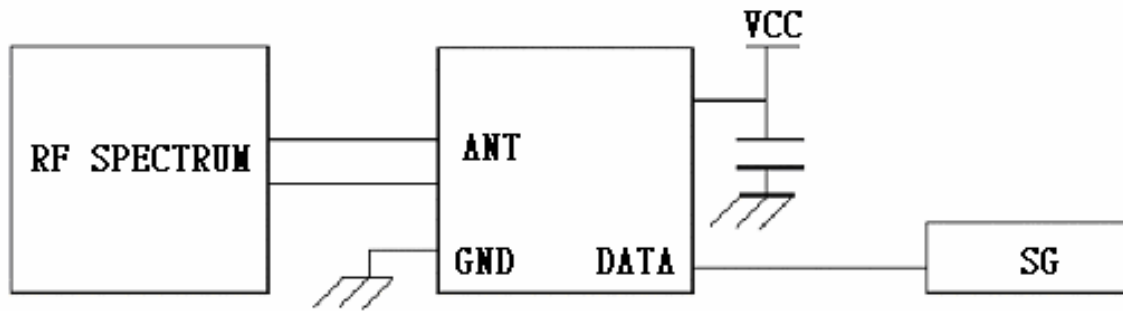
|        | Pin Connection |
|--------|----------------|
| #1 pin | Vcon           |
| #2 pin | GND            |
| #3 pin | Output         |
| #4 pin | +Vcc           |



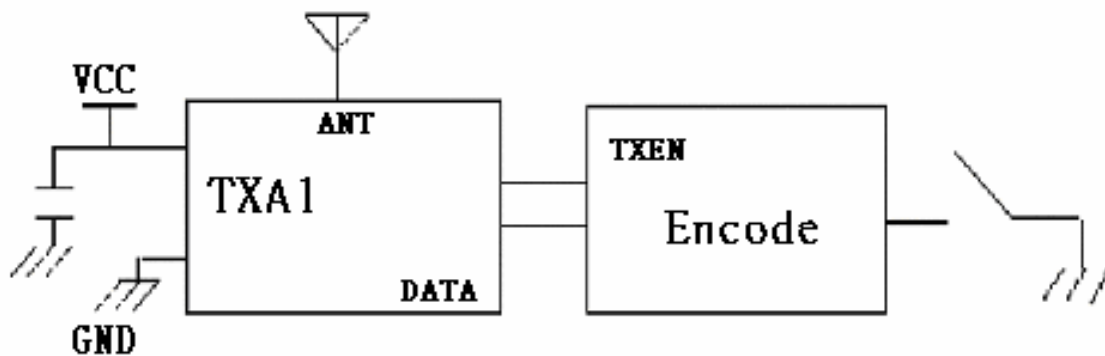
**Pin Description**

| Pin | Name   |
|-----|--------|
| 1   | V con  |
| 2   | GND    |
| 3   | Output |
| 4   | + VCC  |

**Typing Test Circuit**



**Typical Transmitter Application**

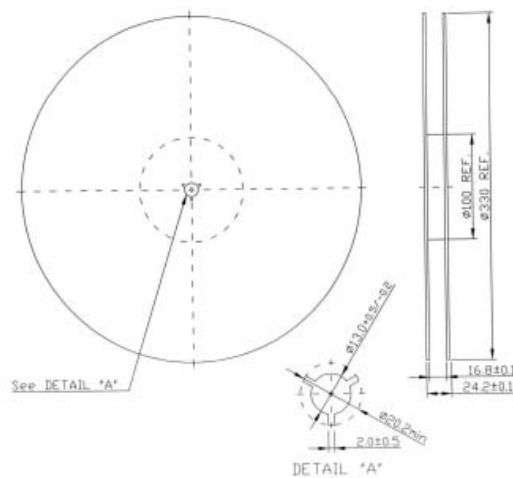


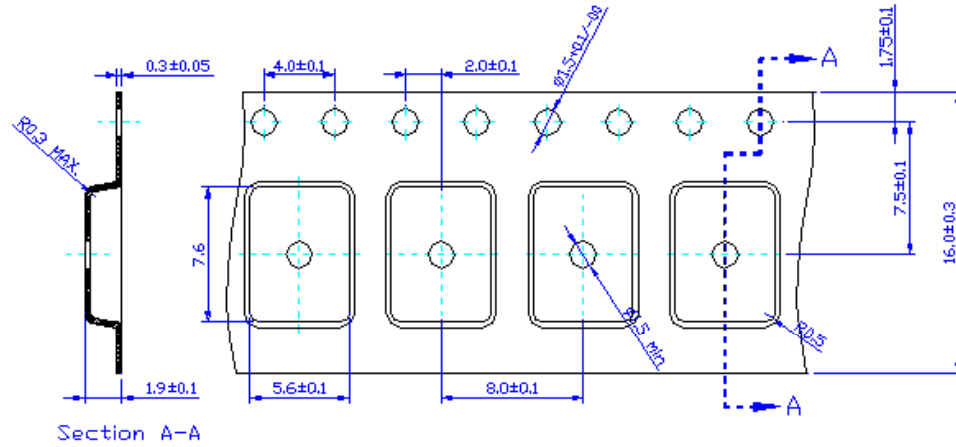
Notes:

1. Encoder : HT12D/F , PTC ( 2262 )
2. Antenna : Length = 17.2cm for 433MHz

**Part Orientation**

Tape and Reel:

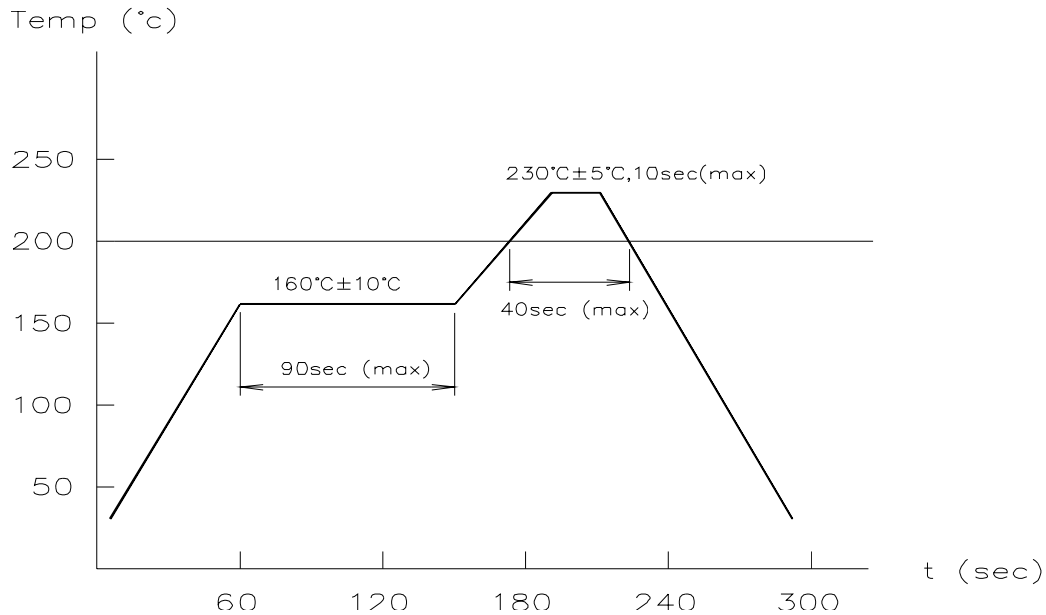




Notes:

1. Unit: mm.
2. Unless otherwise specified tolerance on dim. +/- 0.1mm.
3. Material: conductive polystyrene.
4. Color: black
5. 10 Pitch Cumulative Tolerance +/- 0.2mm.

**Maximum Soldering Profile**



***Ordering Information***

| <b>PRODUCT</b> | <b>ORDER CODE</b> |
|----------------|-------------------|
| RCT-433-UTR    | RCT-433-UTR       |

**Radiotronics Inc.**

905 Messenger Lane  
Moore, OK 73160

(405) 794-7730  
(405) 794-7477 (Fax)

[www.radiotronics.com](http://www.radiotronics.com)  
[sales@radiotronics.com](mailto:sales@radiotronics.com)